

# Installation Guide: Fixing Posts In Ground



**The GARDEN  
TRELLIS Co.**  
Crafted garden joinery  
Est. 1992

Decorative panels can be fixed on the face of posts or in between  
This will affect the post position so will need to be decided beforehand

1. Use a string line to provide a guide for the position of the posts.

Mark out & dig the holes for the posts. For our 70mm x 70mm post we recommend a hole 200mm circumference by 600mm depth.

2. Insert post. Use spirit level to ensure it is level in both directions & correctly positioned against the string line. Posts need to be set at the correct width.

3. Fill the hole with post mix (use manufacturer's instructions). Adjust post into position and support until post mix sets.

4. Please check that tops of each post are at a uniform height, unless there is a change in heights required. (posts can be left oversized and cut to correct height later)

5. Repeat steps 2-4 as needed. Use spirit level to check each post is at correct height for panels.

6. Screw panels into posts:

## OPTIONS:

### PANELS ON THE FACE OF POSTS

Screw panels into posts using 4.5mm x 50mm steel screws (minimum of 3 per side)

Ensure the top of each panel is level

Additional panels meet over the centre of the post, with the first and last sitting flush at the ends.

(If installing top capping)

95mm x 45mm if panels fixed to face of posts:

Align with front slat of panel and screw down into top of posts using 4.5mm/5mm x 100mm screws (these should be plugged or filled).

**OR;**

### PANELS BETWEEN POSTS

**\*\*Fixing strips required\*\***

Screw fixing strips to the **inside** of posts, set back by the thickness of the panel

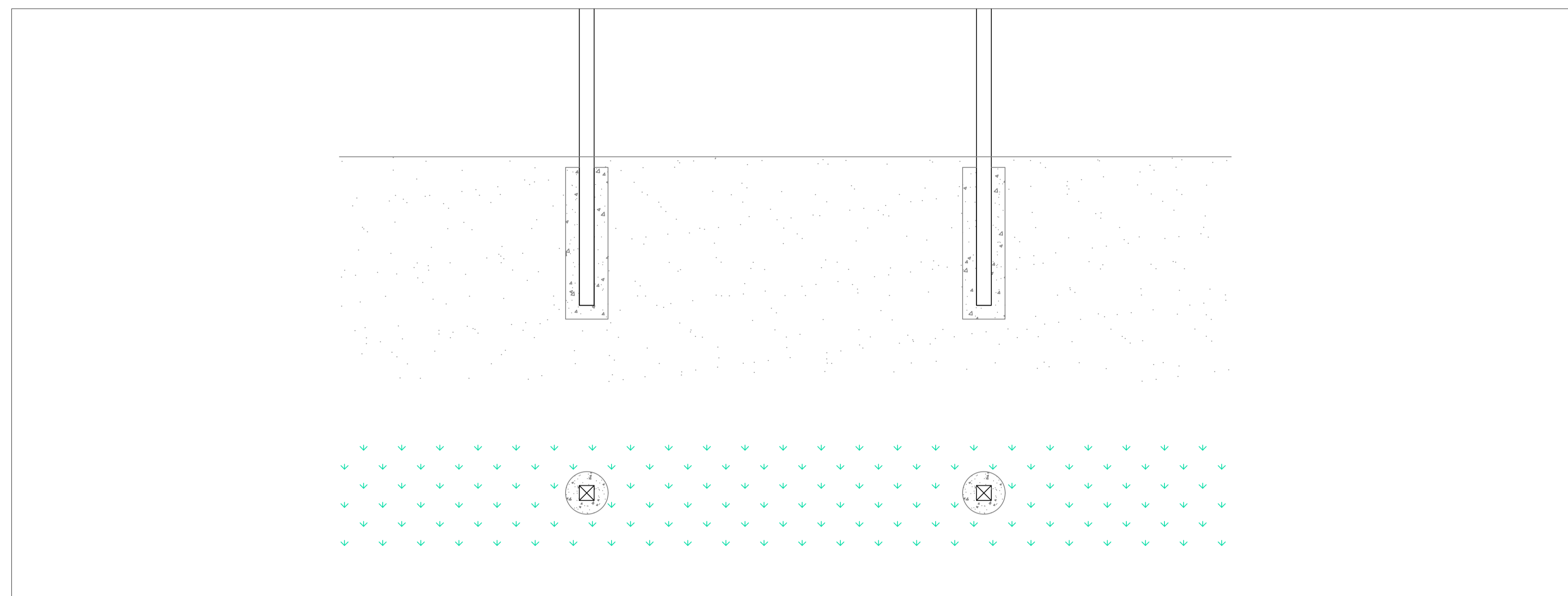
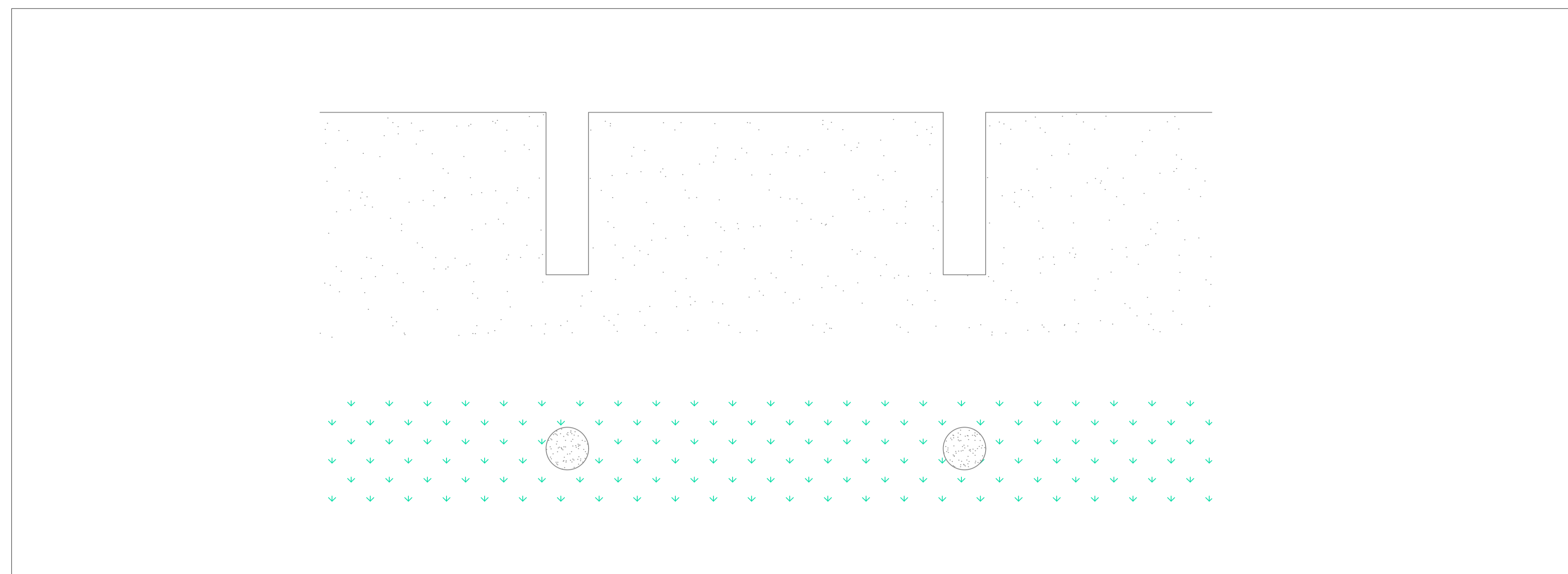
Screw panels into fixing strip using 4.5mm x 50mm steel screws (minimum of 3 per side)

Ensure the top of each panel is level.

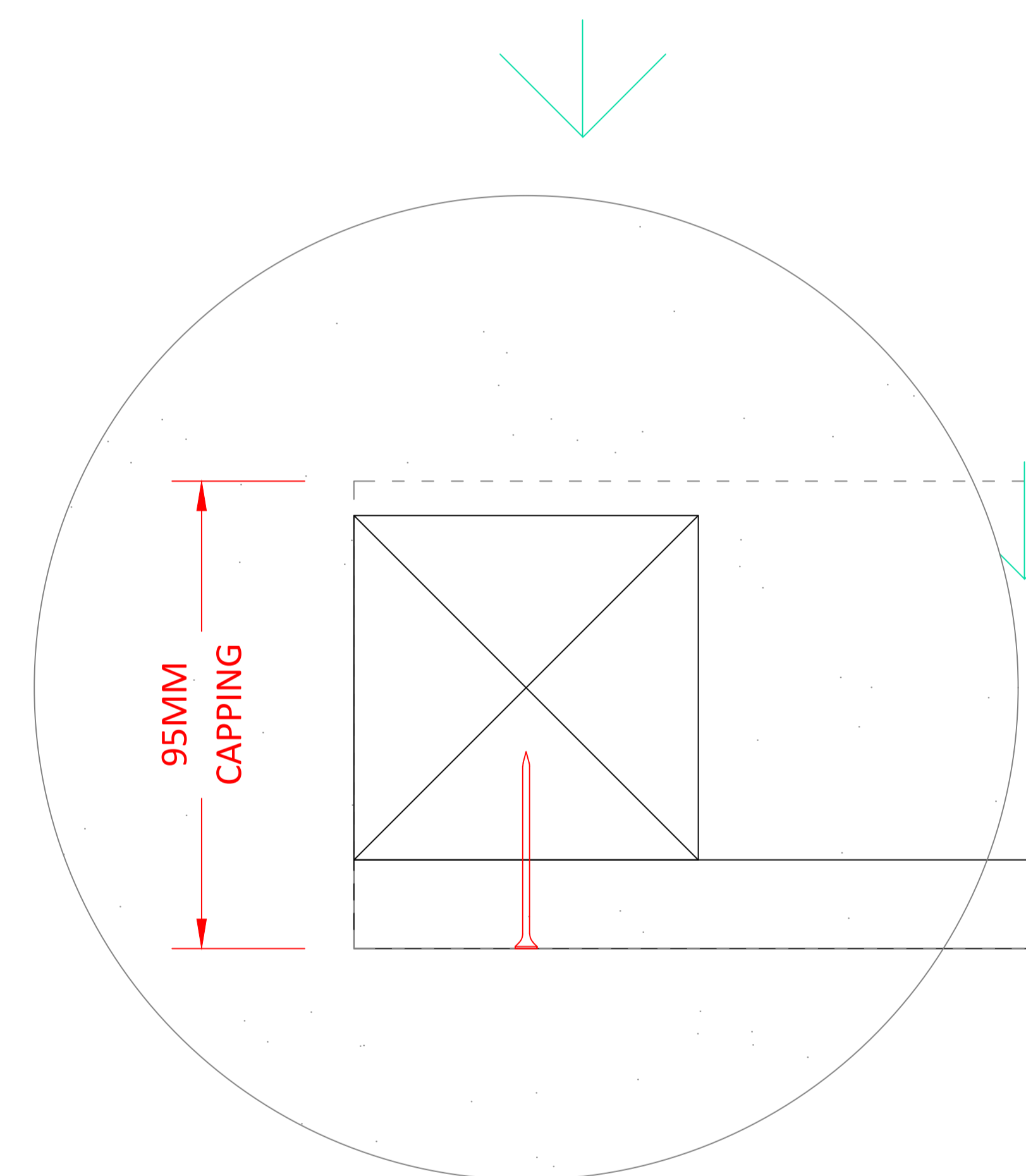
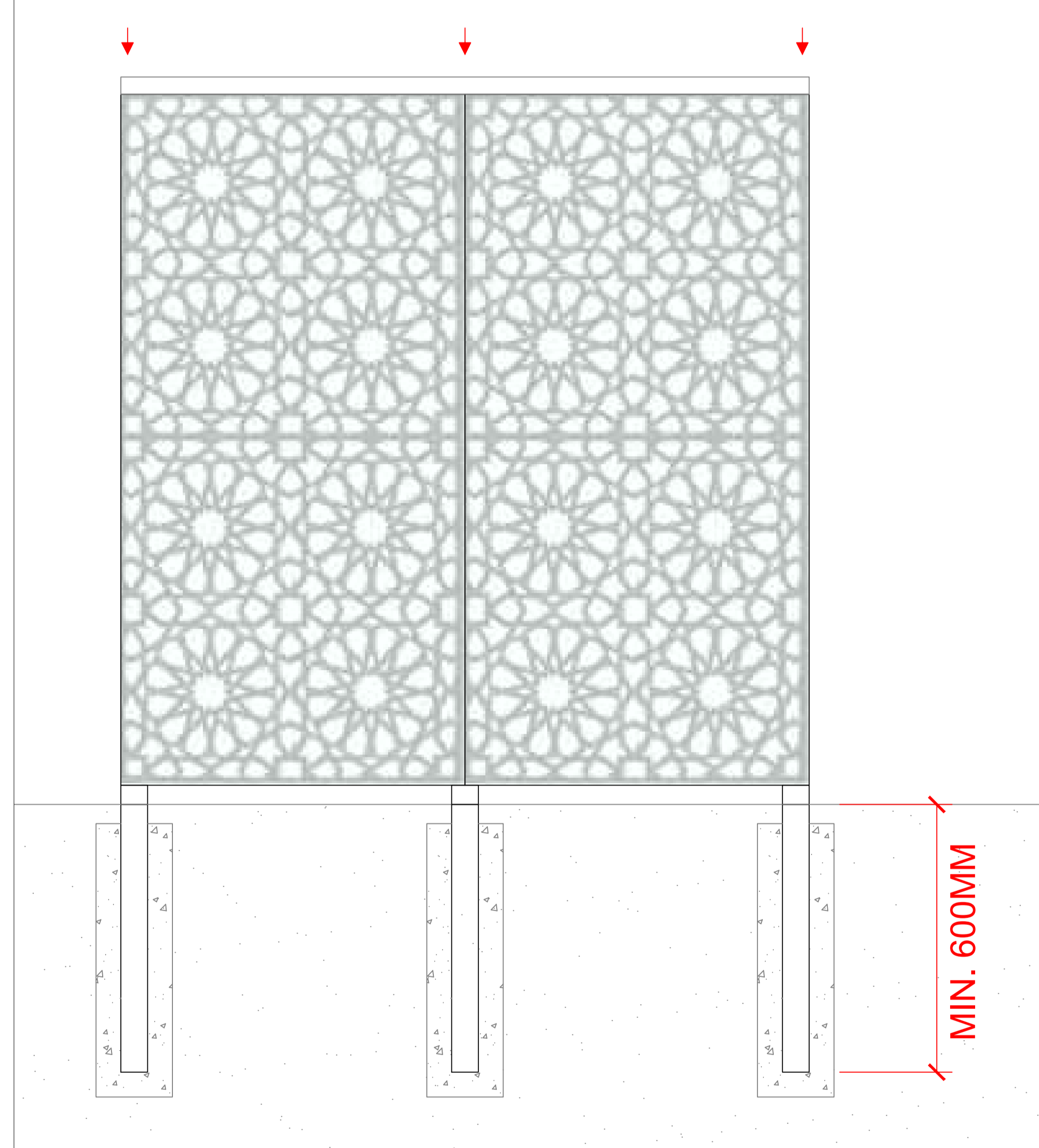
(If installing top capping)

70mm x 45mm if panels fixed between posts:

Align with the front edge of the post and screw down into top of posts using 4.5mm/5mm x 100mm screws (these should be plugged or filled).



### On the face of posts



### Between posts

