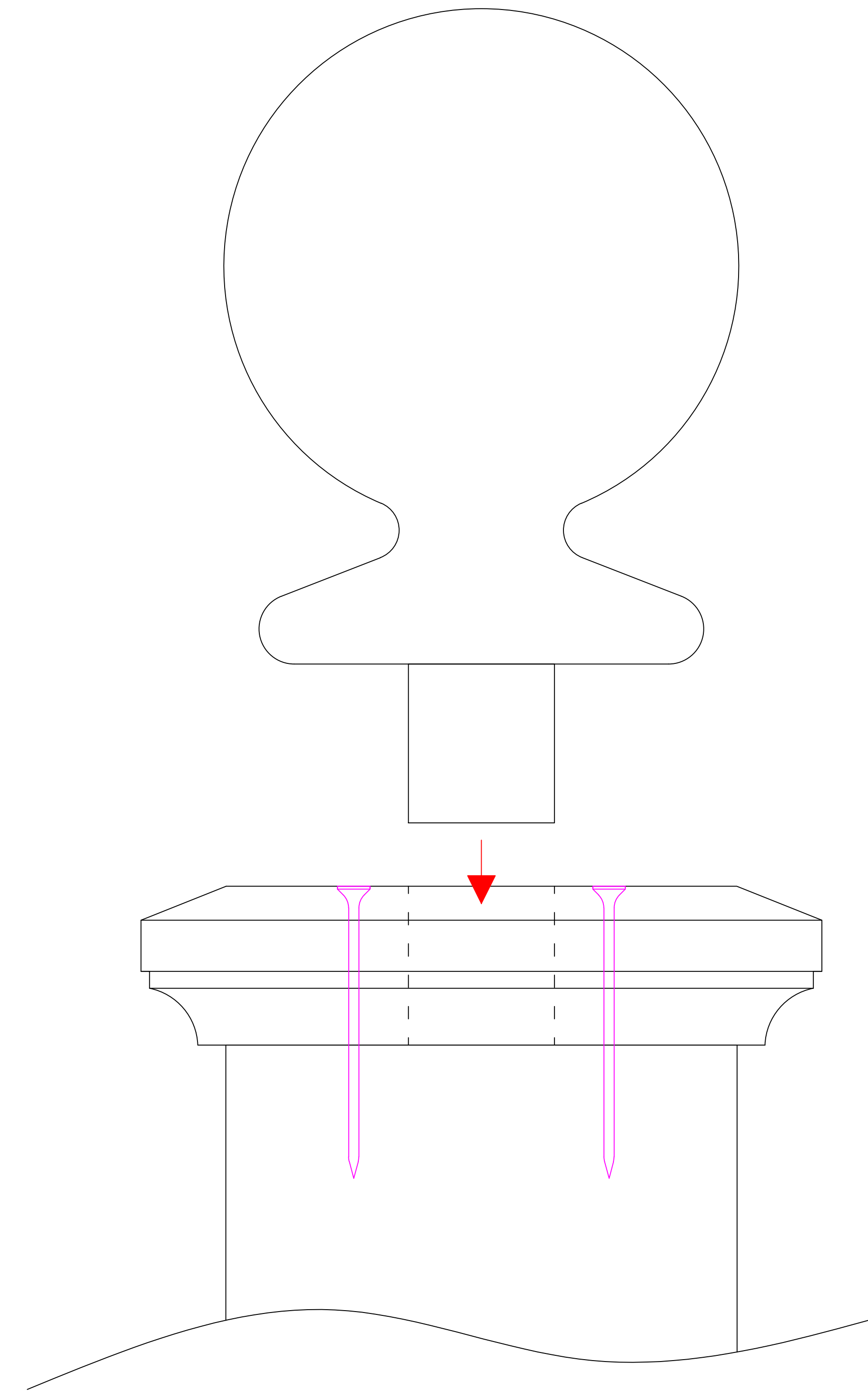
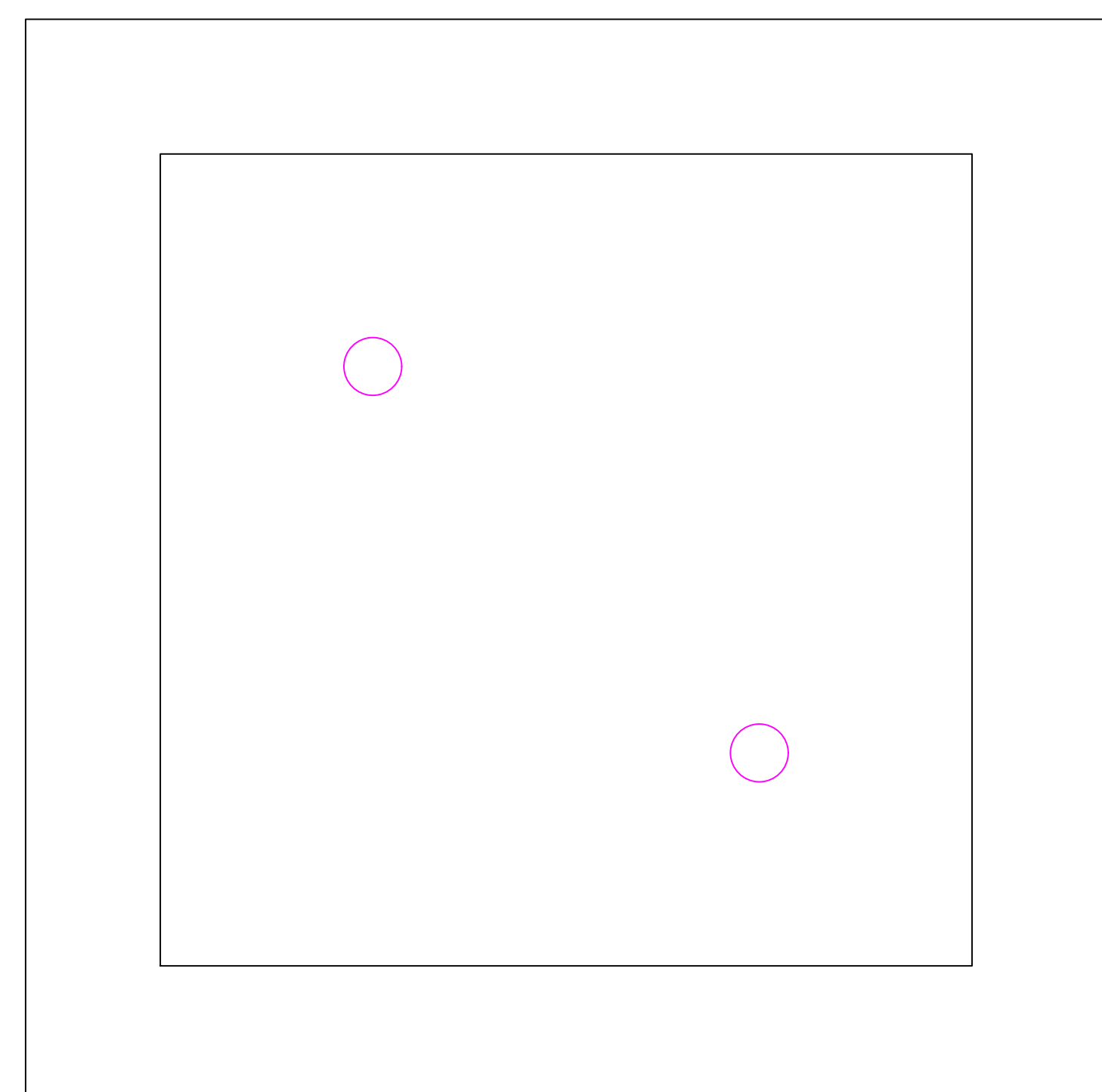


Post Cap only:
Fix down into the top of the post as shown



Post Cap & Ball Finial:
Fix post cap down into the top of the post.

Glue dowel of finial into hole using non-expanding glue such as PVA

